

Motorised Weld Head MFP25 for AWS3

MFP25 Features & Benefits

- Low force range with high precision and high speed
- Compact and robust design for optimal system integration
- Servo motor with linear drive
- Closed loop force control
- Linear drive system for fast and dynamic response
- Programmable electrode speed, force and position
- Robust design gives very low force oscillations
- Full AWS3 functionality for high end process control

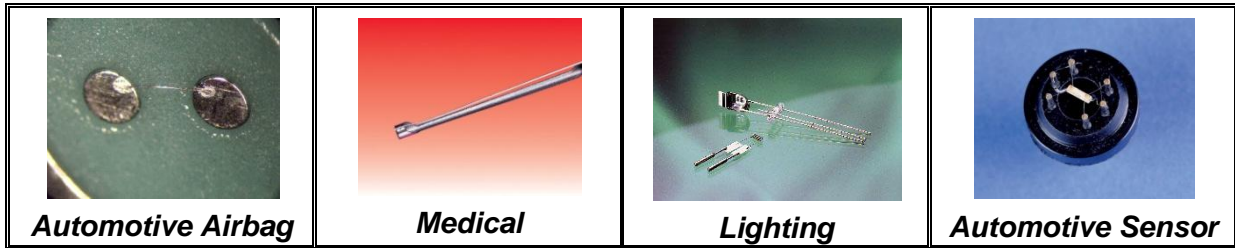


MFP25 Technical Specifications

Force range:	1 to 25 N
Force Resolution:	0,1 N
Maximum electrode stroke:	30 mm
Position accuracy:	1 μ
Displacement measurement accuracy:	0,25 μ
Maximum electrode velocity:	200 mm/sec
Operating temperature range:	0-40 °C
Electrode dimension:	4mm
Mounting possibilities:	Stand or automation
Water cooling:	optional
Control System:	AWS3
Programmable:	Home, up & search position, up speed, down and search speed

Dimensions (mm)	actuator head only: 42 x 94 x 260 (W x D x H)
Weight (in kg)	actuator head only: approx. 5kg
Power requirements	230VAC, 110VAC optional

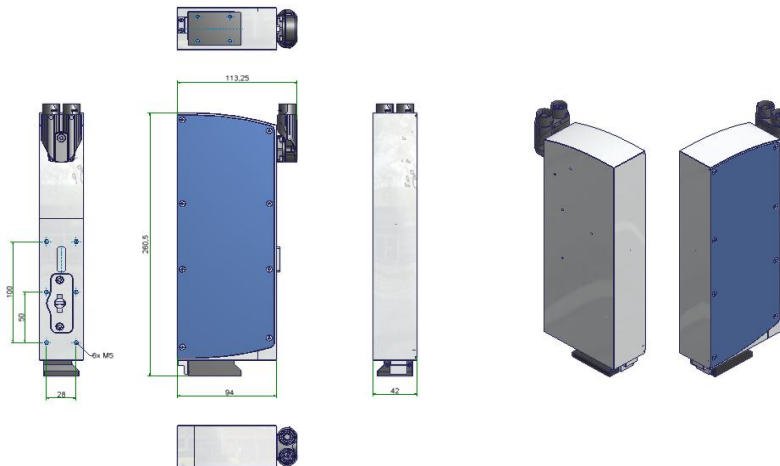
MFP25 Applications



MFP25 Configuration Options

The MFP25 is used with the AWS3 Active Welding System. The AWS3 integrates the process control of all mechanical and electrical parameters, static and dynamic process monitoring, quality analysis with advanced SPC feature and datalogging. More information can be found in the Technical Data Sheet of the AWS3 Active Welding System.

MFP25 Drawings



Local Representative

Your European Contacts

- Miyachi Europe GmbH
Lindberghstrasse 1
DE-82178 Puchheim
Germany
T: +49 (0) 89 83 94 030
F: +49 (0) 89 83 94 0310
E: info@mec.miyachi.com
- Miyachi Europe B.V.
Schootense Dreef 21
5708 HZ Helmond
The Netherlands
T: +31 (0) 492 542 225
F: +31 (0) 492 536 222
E: webinfo@mec.miyachi.com
- Miyachi Europe Kft
Mester utca 87,
HU-1095 Budapest
Hungary
T: +36 1 431 9927
F: +36 1 260 9175
E: infohu@mec.miyachi.com
- Miyachi Europe UK
16 Royal Scot Road
Pride Park DE24 8AJ Derby
United Kingdom
T: +44 (0) 1332 361 238
F: +44 (0) 1332 206 215
E: infouk@mec.miyachi.com
- Miyachi Europe B.V.
95D Rue Péreire
Saint Germain en Laye, 78100
France
T: +33 (0) 139 046 430
F: +33 (0) 130 617 547
E: infofr@mec.miyachi.com
- Miyachi Europe GmbH
Strada della Cebrosa, 86
IT-10156 Torino
Italy
T: +39 011 223 83 16
F: +39 011 274 94 66
E: infoit@mec.miyachi.com
- Miyachi Europe GmbH
Tyršova 2084
252 28 Cernošice/Prague-West
Czech Republic
T: +420 251 512 157
F: +420 251 512 158
E: infocz@mec.miyachi.com

WWW.MIYACHIEUROPE.COM

All data, images and text described and illustrated in this technical data sheet are subject to change. Miyachi Europe reserves the right to modify the specifications, the design and the illustrations at any time. All rights reserved – July 2012