



# LST PENETRANT

The low surface tension feature of LST Penetrant combined with a powerful foaming action provides exceptional penetration, coverage, and improved displacement. LST is safe for use on most surfaces and does not contain harmful chlorinated solvents.



## PACKAGE SIZES

### Net Contents

11 wt.oz. / 312 g/ 382 mL aerosol  
1 gal. (3.78 L)  
5 gal. (18.93 L)  
55 gal. (208 L)

### Part No.

01916  
01928  
01905  
01955

## APPLICATIONS

- Bearings
- Corroded fasteners
- Plumbing fixtures
- Bolts
- Equipment disassembly
- Pulleys
- Chains
- Hinges
- Screws
- Conveyors
- Nuts
- Shafts

## FEATURES

- Specially formulated with low surface tension for fast penetrating action
- Displaces moisture
- Loosens rust and corrosion to free frozen parts
- Powerful foaming action provides complete surface coverage
- Flash point of 175°F (79°C)
- Compatible with most rubber and plastic surfaces
- Inverta Spray Valve
- Nonfood Compounds Program Listed Category Code: H2 Registration #059851 (aerosol); #059823 (bulk)

## SPECIFICATIONS AND APPROVALS

### Approved/Qualified to:

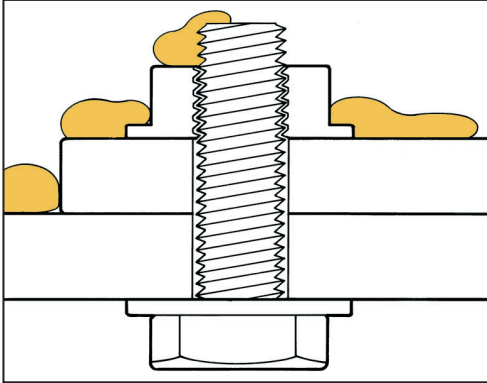
- A-A-50493 Class B Types I and II
- ASTM F-945
- City Public Service
- General Motors Co.
- Minntac - US Steel
- NSF® International
- Pratt & Whitney Canada CPMC 79138-1
- Tampa Electric Co.
- Timken Steel
- Tyson
- V V-P-216C Types I and II



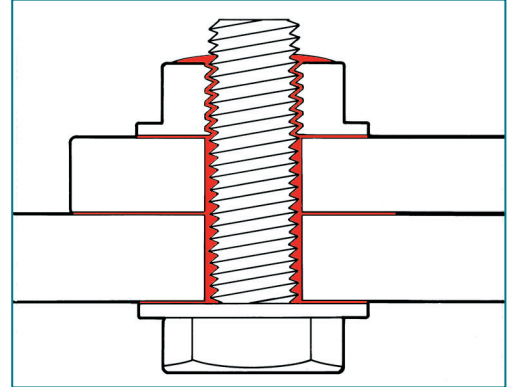
# LST PENETRANT

What makes LST an excellent penetrant is its low surface tension. Surface tension is the measurement of a liquid's ability to "bead" or form droplets. The higher the surface tension the more likely a liquid is to bead-up on a surface, and not penetrate. LST has extra low surface tension that does not bead and instead spreads with a more consistent coating and penetrates even the tiniest cracks and crevices in a surface.

## LIQUID WITH HIGH SURFACE TENSION



## LST WITH LOW SURFACE TENSION



## PROPERTIES

Appearance/physical state	Liquid
Color	Clear
Odor	Vanilla
Vapor pressure (H <sub>2</sub> O = 1)	<0.1 mmHg @ 20°C
Vapor density (air = 1)	4.7
Boiling point	383°F (195°C)
Solubility (water)	< 0.1%
Specific gravity	0.79 - 0.81 @ 20°C
Flash point	175°F (79°C) TCC - dispensed liquid

Flammable limits (estimated)	Upper: 7.0% Lower: 0.6%
Auto-ignition temperature	Not established
VOC	Aerosol: 0% per U.S. State and Federal Consumer Product Regulations Bulk: 0% per U.S. State and Federal Consumer Product Regulations
Evaporation rate	< 0.7 (BuAc = 1)
Viscosity	Not established
Percent volatile	96 - 99%
Surface tension	26.7 dynes/cm
Dielectric strength	32.8 kV

## DIRECTIONS

Shake well before using. Spray on frozen parts. Use the attached extension tube for pinpoint application. Tap extremely rusted parts after spraying for deeper penetration. Use only in well ventilated areas. Avoid all sources of ignition (spark or flame).

## STORAGE

Keep container in a cool area. Avoid all sources of ignition (spark or flame). Store between 40°F (5°C) and 120°F (49°C).

Store aerosols as Level 3 Aerosol (NFPA 30B). Store all materials in a dry, well-ventilated area. Avoid breathing vapors.

## DISPOSAL INFORMATION

Waste must be disposed of in accordance with any and all applicable environmental control rules and/or regulations.

MATERIAL SAFETY DATA SHEETS AVAILABLE UPON REQUEST OR VISIT OUR WEB SITE : [WWW.LPSLABS.COM](http://WWW.LPSLABS.COM)

LPS® Laboratories • An Illinois Tool Works Company  
4647 Hugh Howell Road • Tucker, GA 30084 • TEL: (800) 241-8334 or (770) 243-8800 • FAX: (800) 543-1563 or (770) 243-8899  
Internet Web Site: [www.lpslabs.com](http://www.lpslabs.com)

©2013 LPS® Laboratories • LPS® is a registered trademark of Illinois Tool Works • Printed in U.S.A. • All Rights Reserved • Form #TDS\_01916 • Rev.10/2013